

---

# ***INTERMOT - ADVANCED - MOTORS***

## ***IAM SERIES***

---

### ***H2 MODEL***

---

***IAM 200-250-300-350  
400-500-600 H2***

***IAM 190/C H2***

***IAM 300/C H2***

***IAM 200/B10 H2***

***IAM 200-250-300-350  
400-500-600/PH H2***

***IAM 200-250-300-350  
400-500-600/GM2 H2***

***IAM 200-250-300-350  
400-500-600/S H2***

---

## ***INDEX***

TECHNICAL DATA - - - - -	<i>Pag.</i> 28
IAM H2 200-250-300-350 - - - - -	" 29
IAM H2 400-500-600 - - - - -	" 30
IAM H2 190/C - - - - -	" 31
IAM H2 300/C - - - - -	" 32
IAM H2 200/B10 - - - - -	" 33
IAM H2 200-250-300-350-400-500-600/PH - - - - -	" 34
IAM H2 200-250-300-350-400-500-600/GM2 - - - - -	" 35
IAM H2 200-250-300-350-400-500-600/S - - - - -	" 36
ORDERING INSTRUCTIONS - - - - -	" 37
GRAPHIC PERFORMANCES H2 200-250-300-350 - - - - -	" 38
GRAPHIC PERFORMANCES H2 400-500-600 - - - - -	" 39

---

# TECHNICAL DATA

# H2

MODEL		IAM 200 H2	IAM 250 H2	IAM 300 H2	IAM 350 H2	IAM 400 H2	IAM 500 H2	IAM 600 H2
Displacement	cc/rev	198	253	314	362	424	492	584
Specific Torque	Nm/bar	3.2	4.0	5.0	5.8	6.7	7.8	9.3
Max cont. Pressure	bar	250	250	250	250	250	250	250
Max int. Pressure	bar	300	300	300	300	300	300	300
Peak pressure	bar	350	350	350	350	350	350	350
Max continuous speed	rpm	800	750	750	650	600	500	500
Peak speed	rpm	900	850	850	750	700	600	600
Max continuous power	HP	45	45	45	45	45	45	45
	kW	33	33	33	33	33	33	33
Max power	HP	66	66	66	66	66	66	66
	kW	49	49	49	49	49	49	49

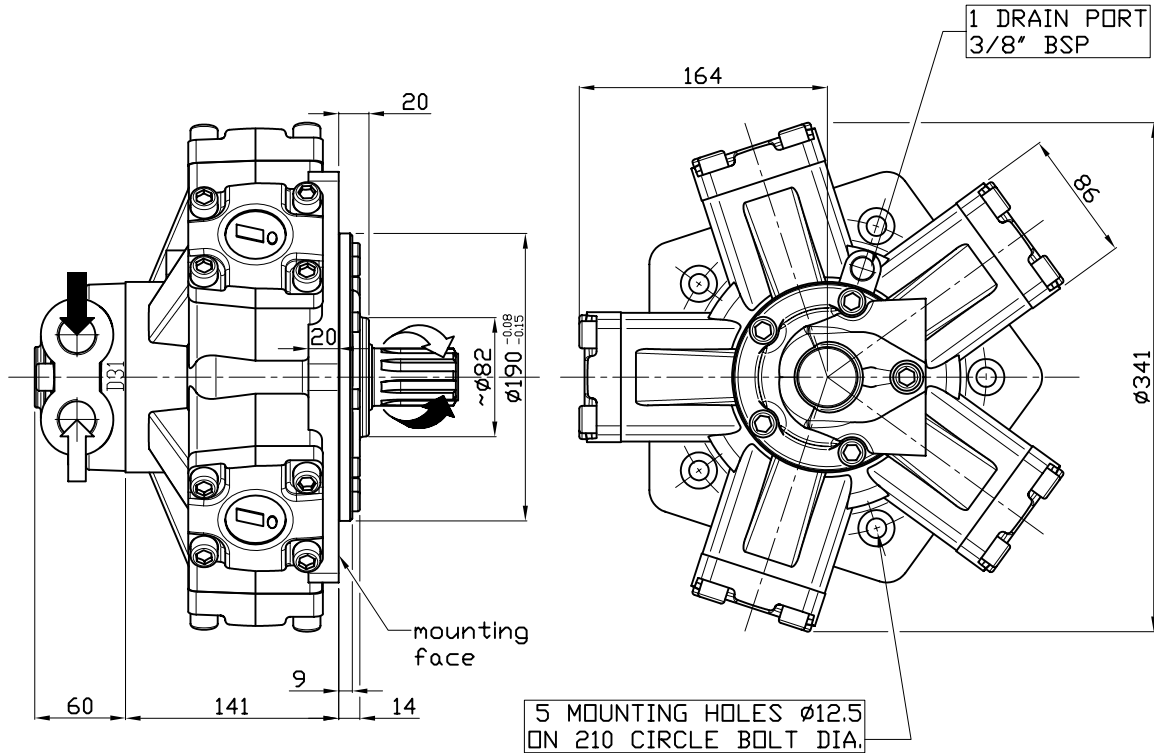
- N° of pistons: 5
- Max case pressure: 6 bar
- Max back pressure: 70 bar
- Dry weight: 42 kg
- Temperature range: -30°C ÷ +70°C
- Minimum speed: 2 rpm
- Flushing flow<sup>(\*)</sup>:
 

IAM H2 200 – 250 – 300	6 l/min
IAM H2 350 – 400 – 500	8 l/min
IAM H2 600	10 l/min

(\*)for further details regarding flushing go to page 10 of this catalogue.

## SIZE

### IAM 200-250-300-350 H2

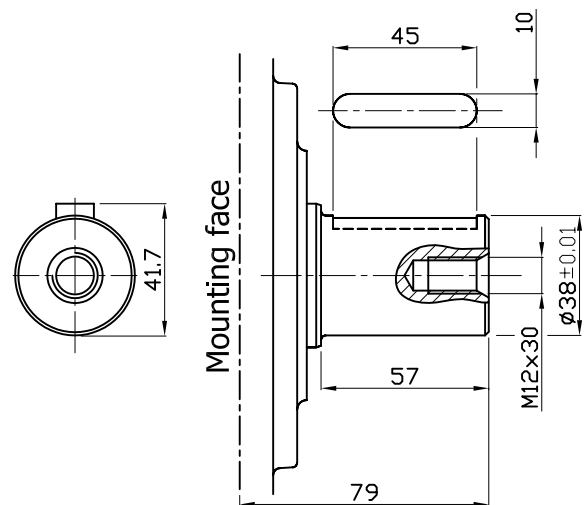
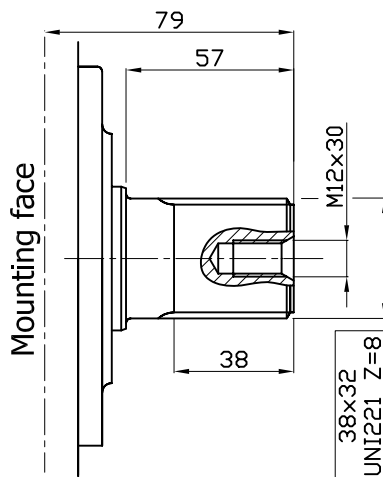


## SHAFT

### IAM 200-250-300-350 H2

A0: Standard splined shaft

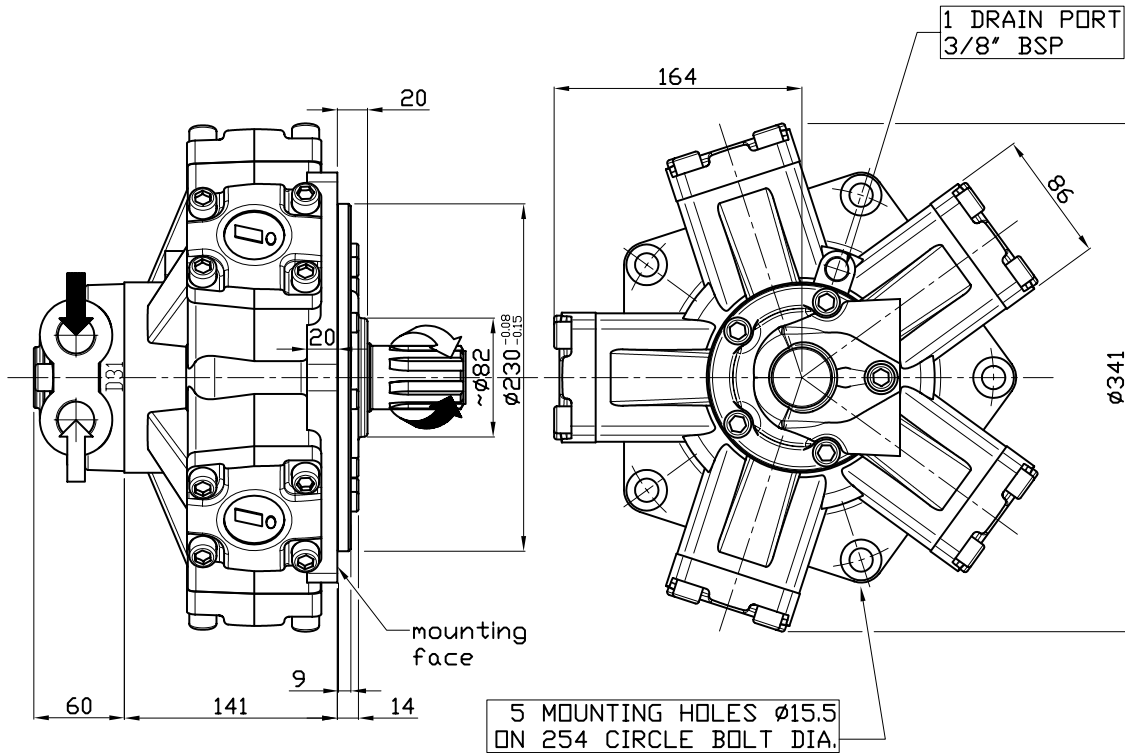
A2: Parallel shaft on request



ONLY FOR IAM 300 H2: FEMALE SHAFT AVAILABLE UPON REQUEST 40x3x12x9H DIN 5480

## SIZE

### IAM 400-500-600 H2

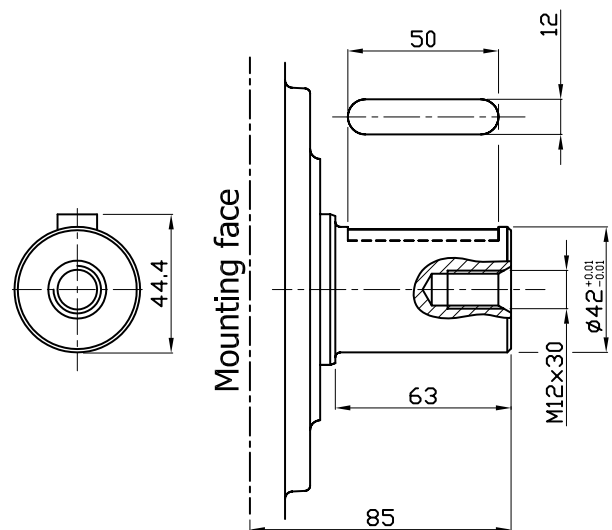
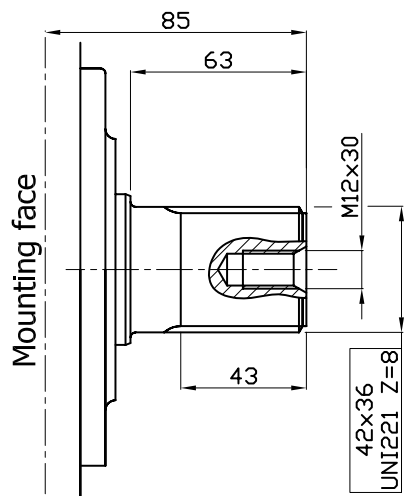


## SHAFT

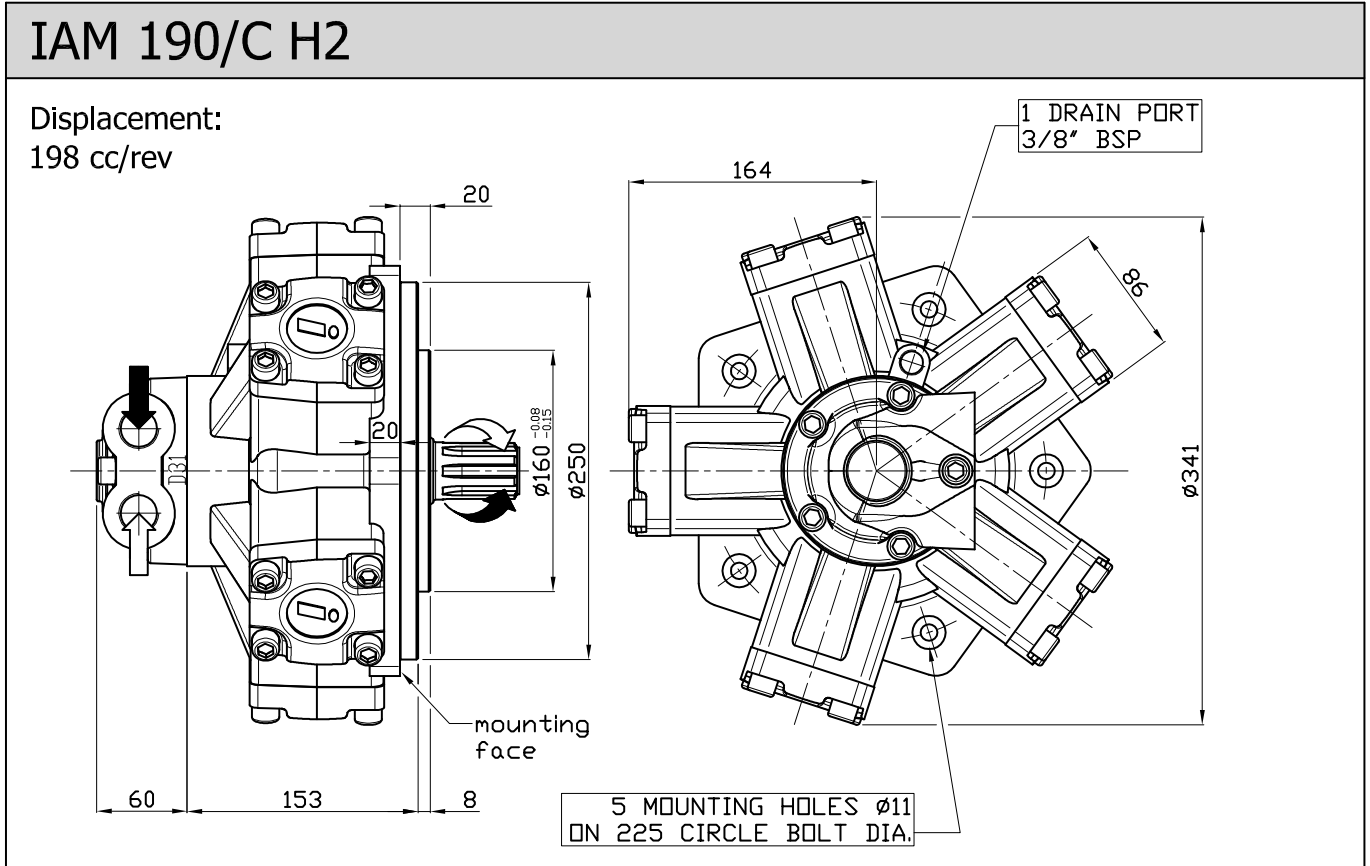
### IAM 400-500-600 H2

A0: Standard splined shaft

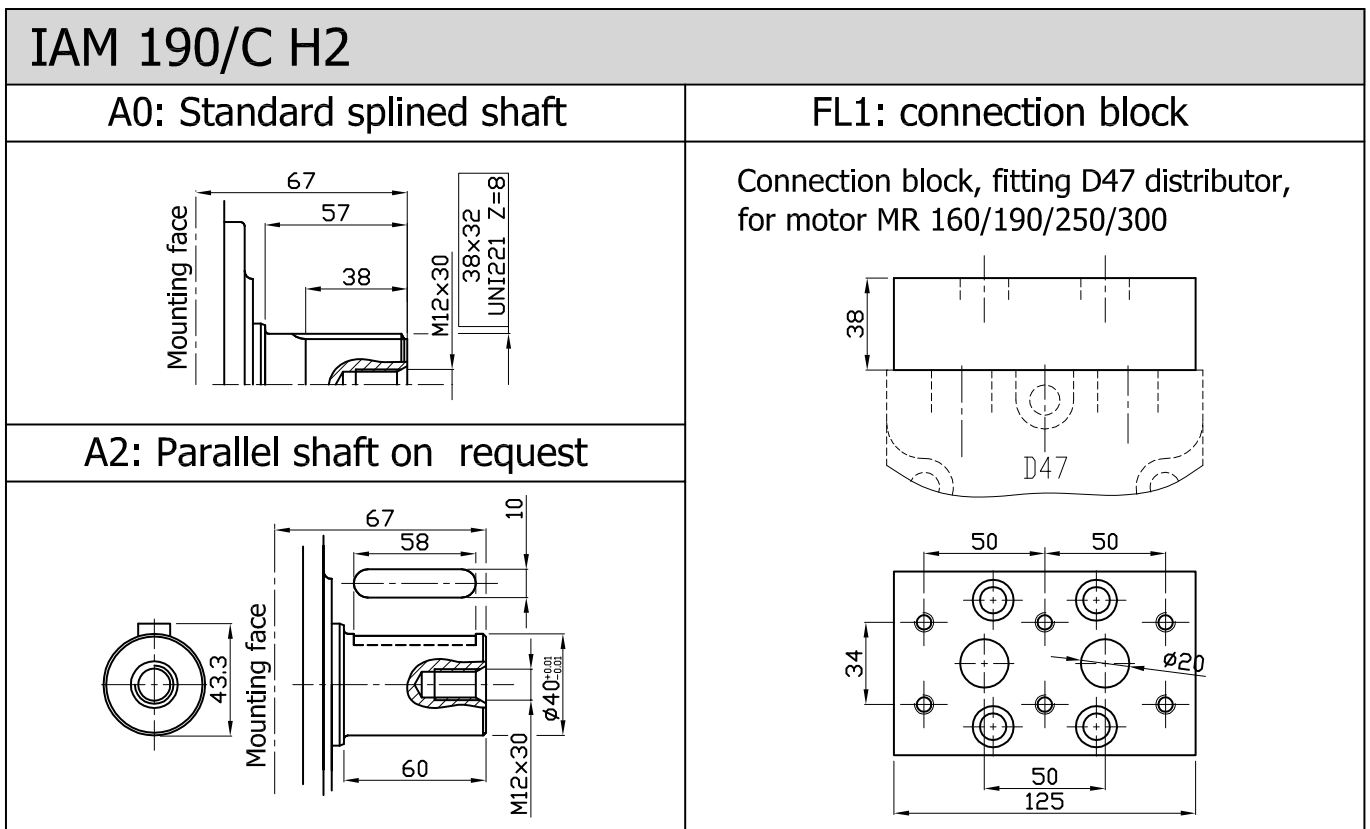
A2: Parallel shaft on request



## SIZE



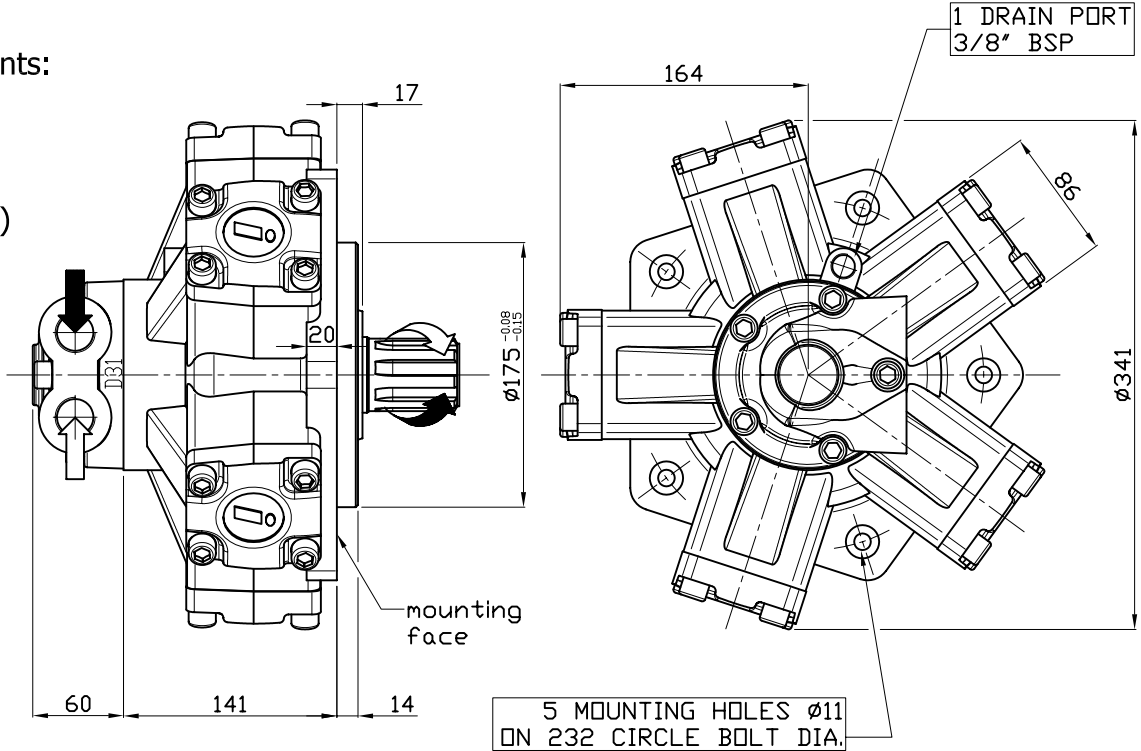
## SHAFT & OPTION



## SIZE

### IAM 300/C H2

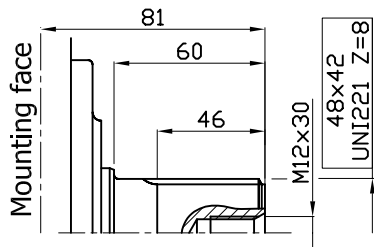
(available displacements:  
253 cc/Rev  
289 cc/Rev  
339 cc/Rev  
393 cc/Rev)



## SHAFT & OPTION

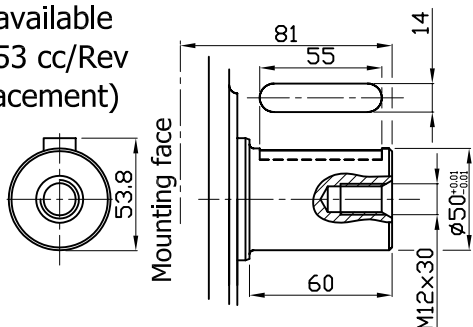
### IAM 300/C H2

**A0: Standard splined shaft**



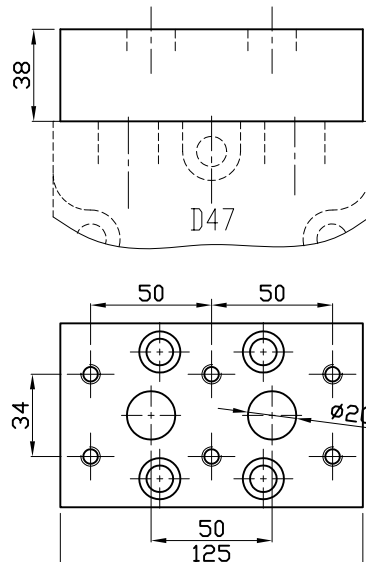
**A2: Parallel shaft on request**

(not available for 253 cc/Rev displacement)



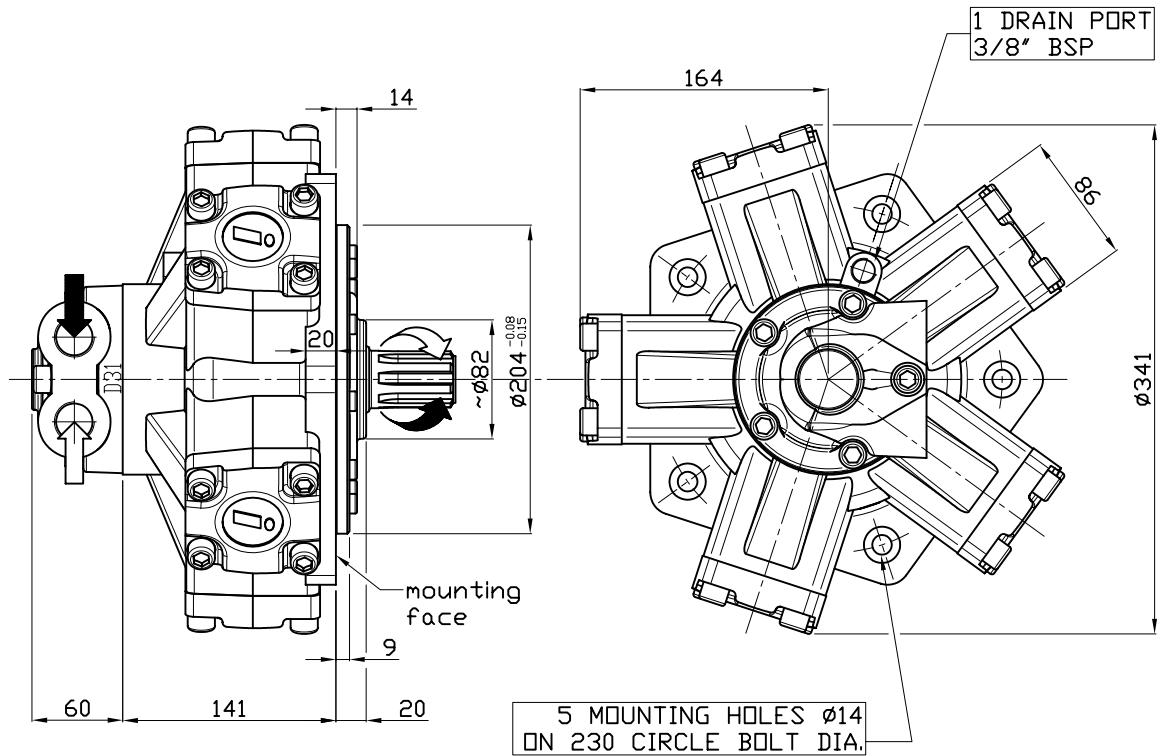
**FL1: connection block**

Connection block, fitting D47 distributor, for motor MR 160/190/250/300



## SIZE

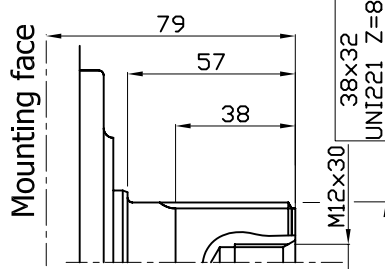
### IAM 200/B10 H2



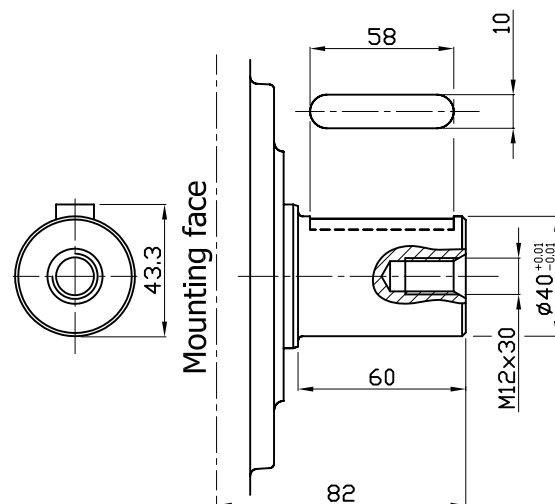
## SHAFT

### IAM 200/B10 H2

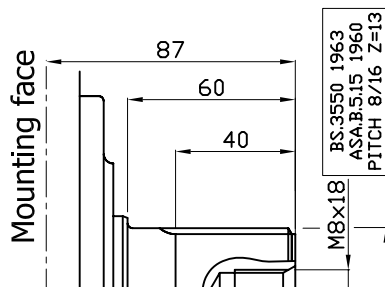
A0: Standard splined shaft



A2: Parallel shaft on request

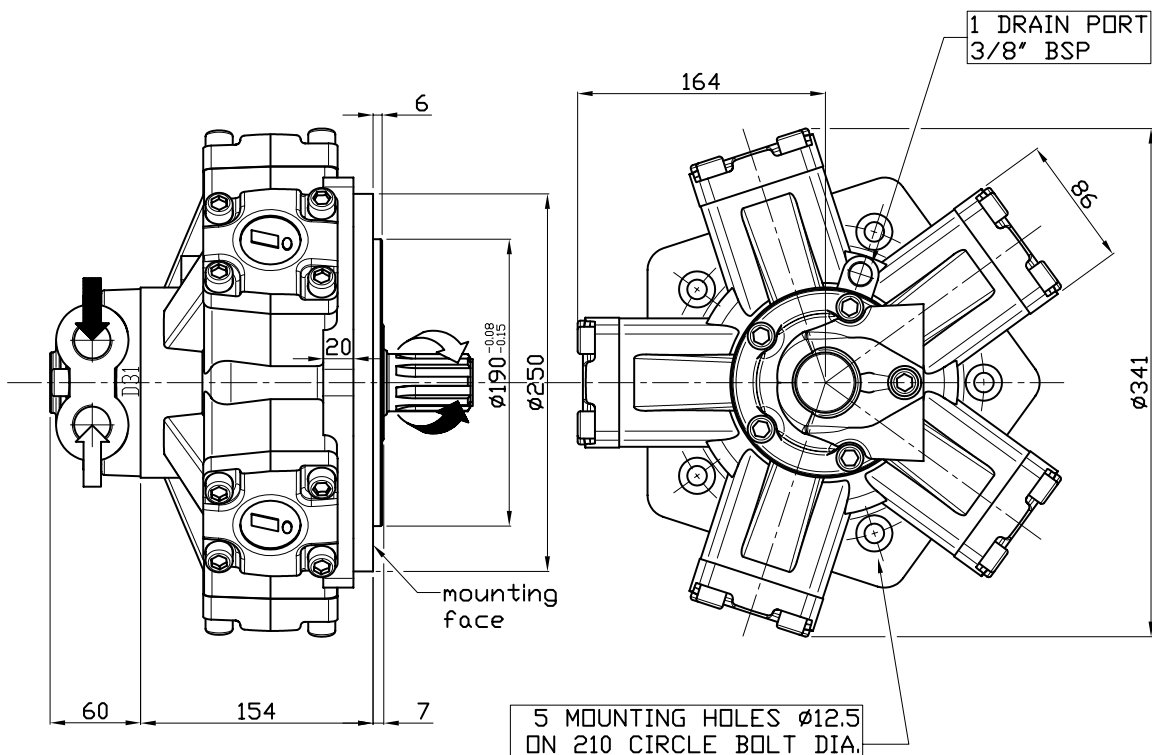


A1: Splined shaft on request



## SIZE

### IAM 200-250-300-350-400-500-600/PH H2

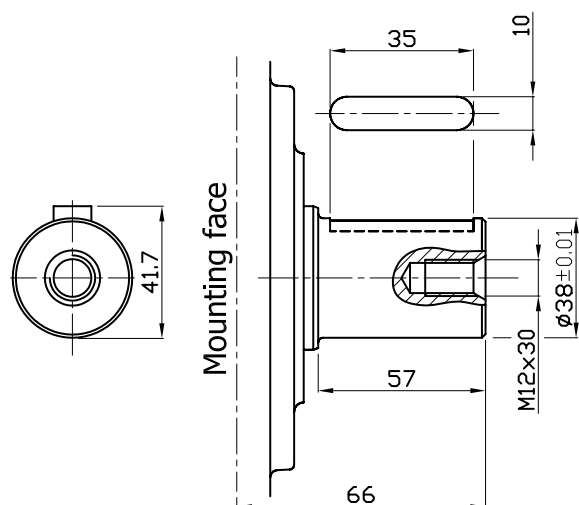
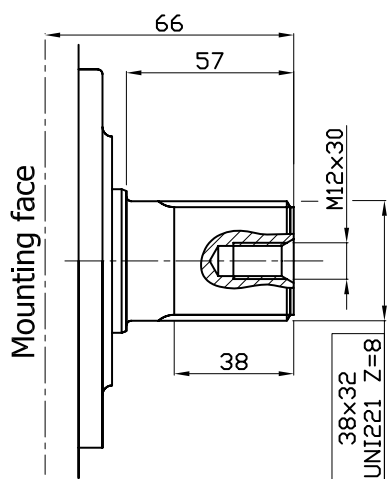


## SHAFT

### IAM 200-250-300-350-400-500-600/PH H2

A0: Standard splined shaft

A2: Parallel shaft on request

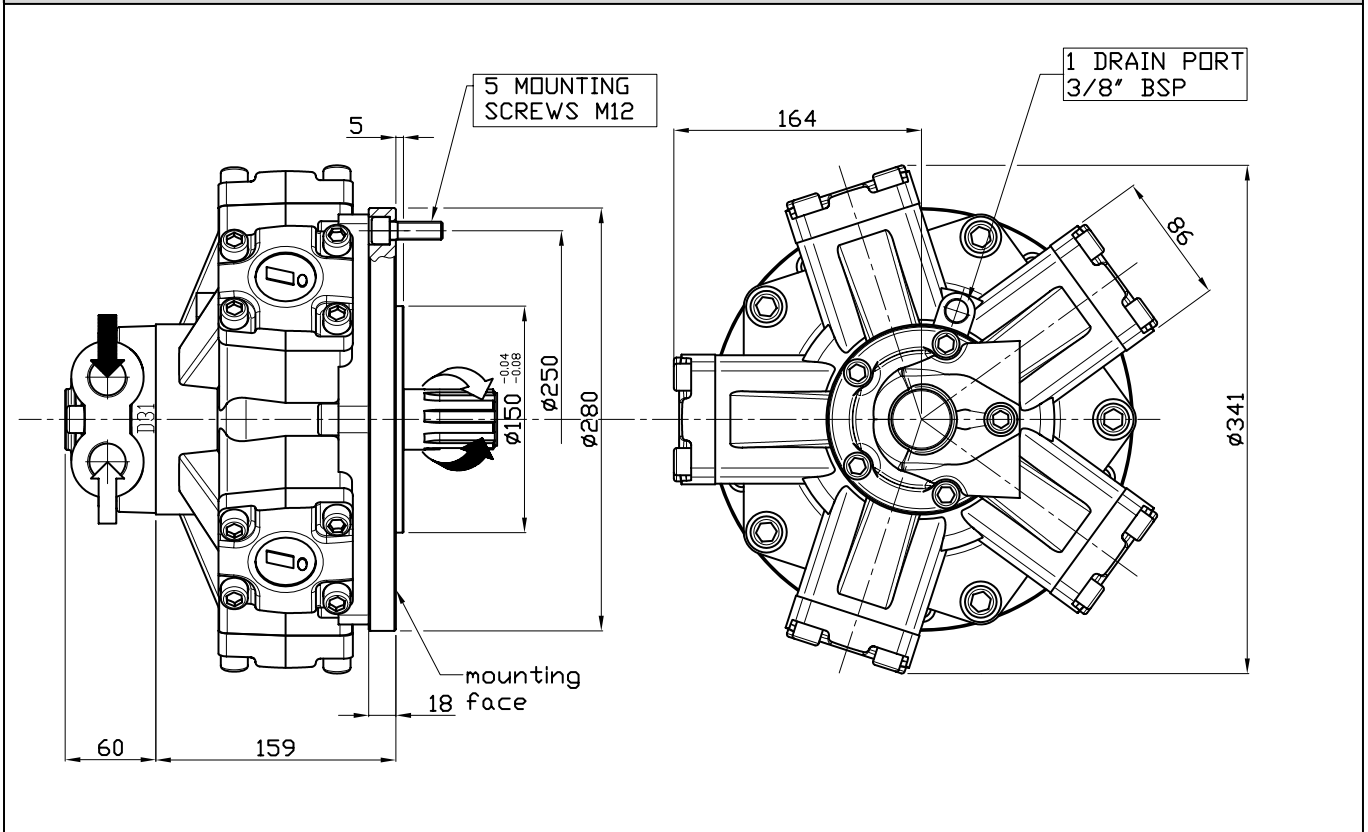




INTERCHANGEABLE WITH GM2

## SIZE

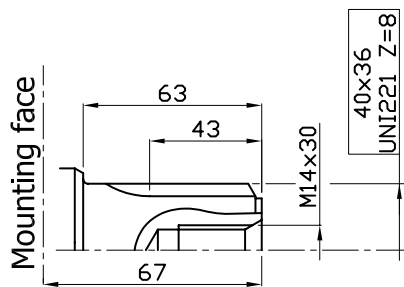
IAM 200/GM2 250/GM2 300/GM2 350/GM2 400/GM2 500/GM2 600/GM2 H2



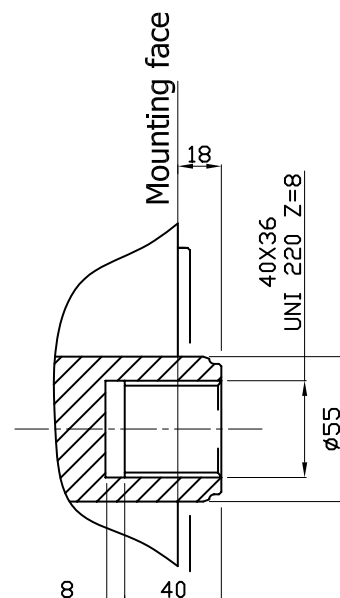
## SHAFT

IAM 200/GM2 250/GM2 300/GM2 350/GM2 400/GM2 500/GM2 600/GM2 H2

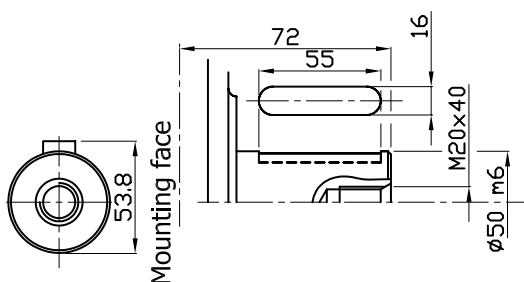
**A0: Standard splined shaft**



**A3: Female shaft on request**



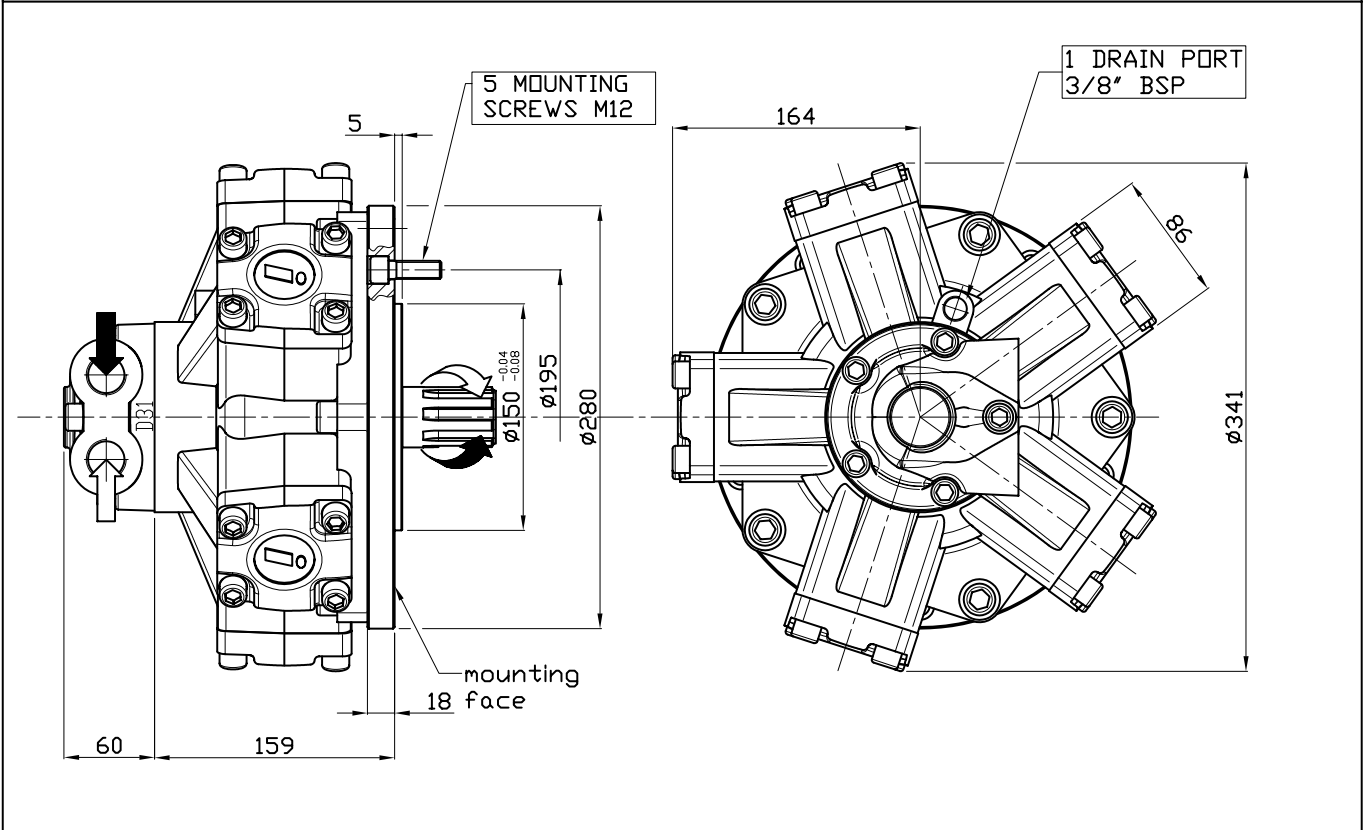
**A2: Parallel shaft on request**



MTCP SERIES AVAILABLE ON REQUEST

**SIZE** INTERCHANGEABLE WITH M2

IAM 200/S 250/S 300/S 350/S 400/S 500/S 600/S H2

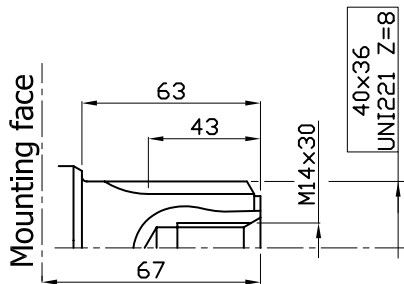


**SHAFT**

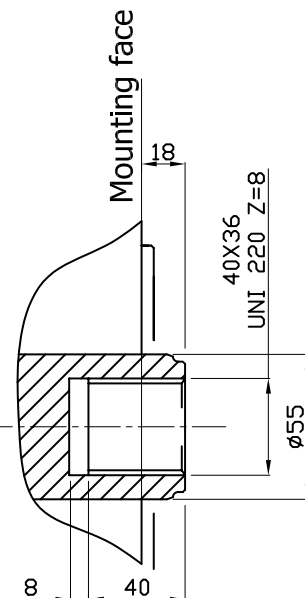
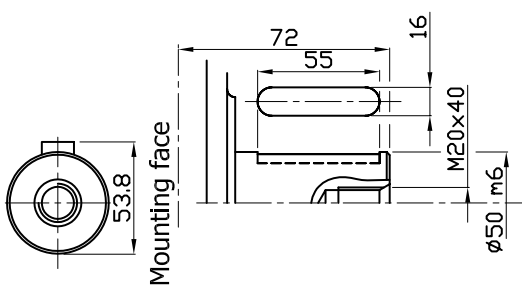
IAM 200/S 250/S 300/S 350/S 400/S 500/S 600/S H2

A0: Standard splined shaft

A3: Female shaft on request

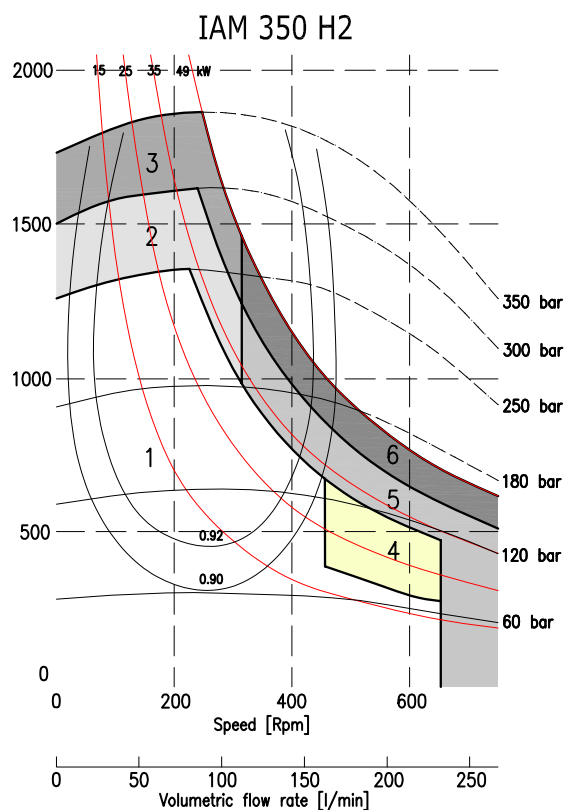
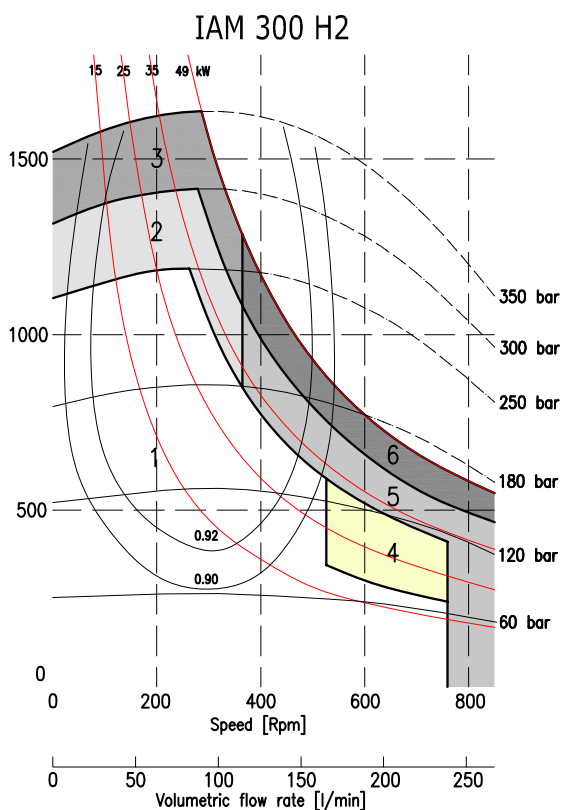
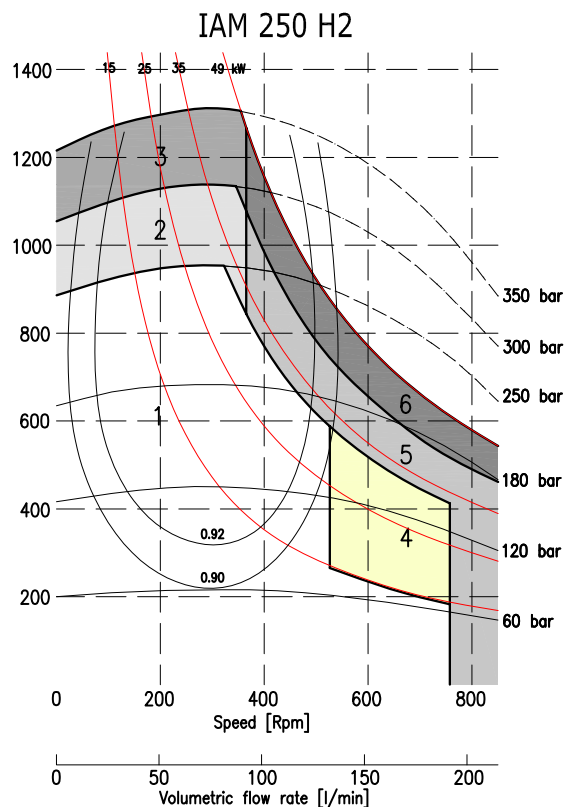
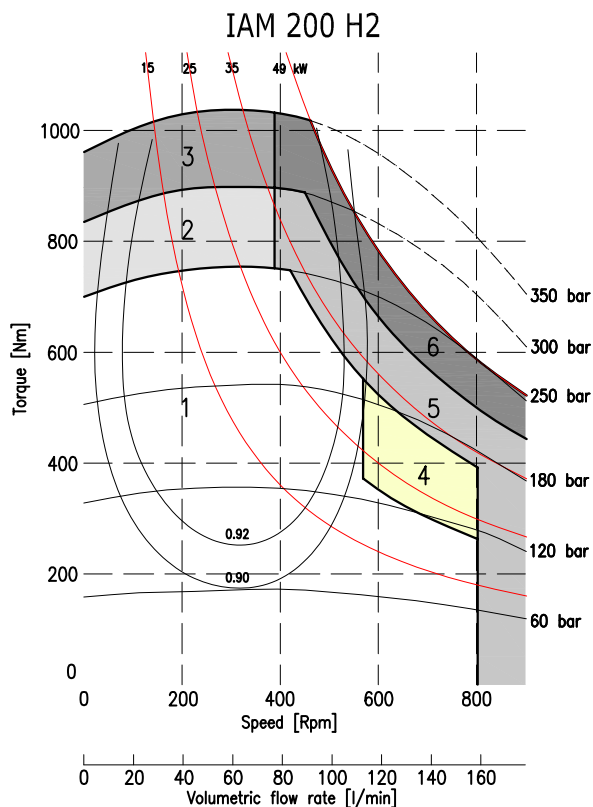


A2: Parallel shaft on request



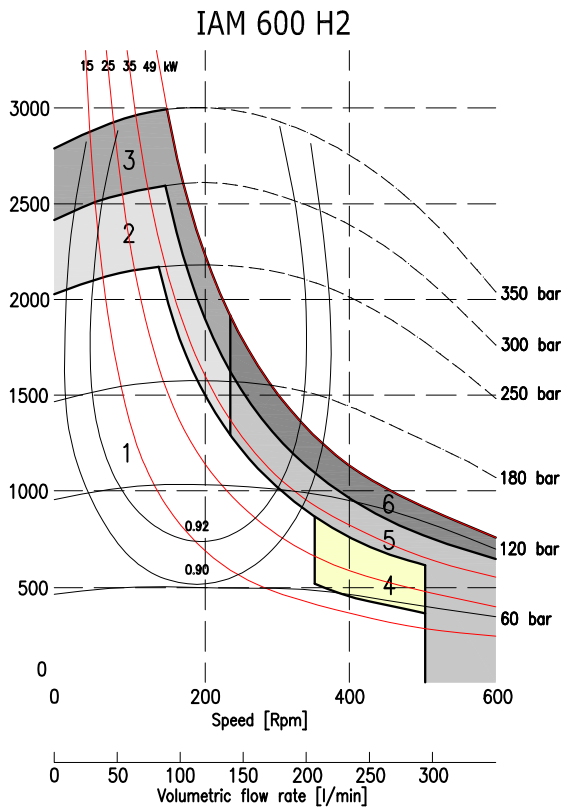
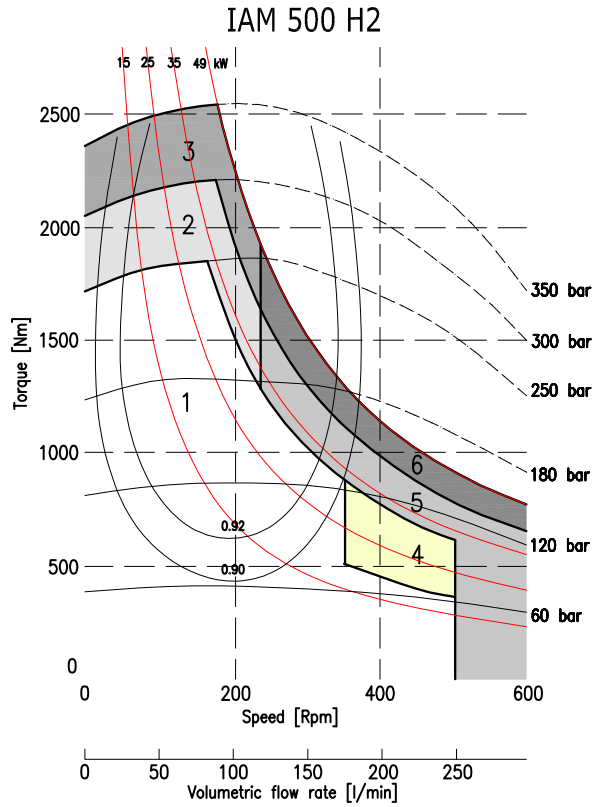
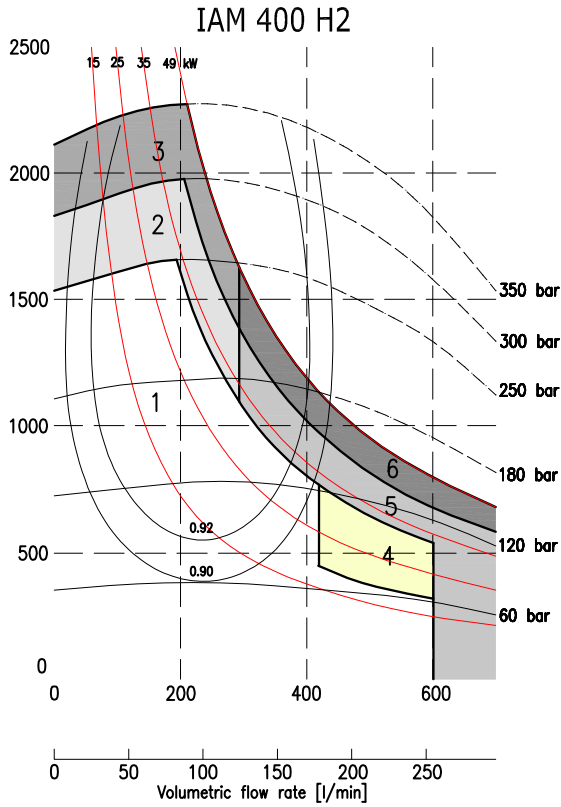
MTCP SERIES AVAILABLE ON REQUEST





1	Continuous operation
2	Intermittent operation for period 3-5 minutes every 10-15 minutes
3	Intermittent operation for very short period (3-5 seconds every 10-15 minutes)

4	Continuous operation with flushing
5	Intermittent operation for period 3-5 minutes every 10-15 minutes with flushing
6	Intermittent operation for very short period (3-5 seconds every 10-15 minutes) with flushing



1	Continuous operation
2	Intermittent operation for period 3-5 minutes every 10-15 minutes
3	Intermittent operation for very short period (3-5 seconds every 10-15 minutes)

4	Continuous operation with flushing
5	Intermittent operation for period 3-5 minutes every 10-15 minutes with flushing
6	Intermittent operation for very short period (3-5 seconds every 10-15 minutes) with flushing